



16.0 Cu. Ft. Top Freezer Refrigerator

Top Freezer Refrigerator

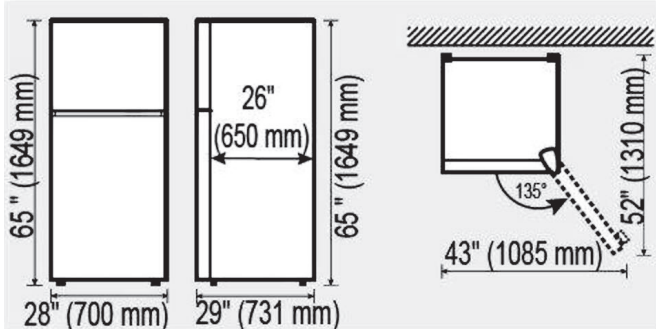
Available Products: 16 cubic ft model es XET16RWW / XET16RSS

Available Colors: Stainless Steel, White

Product Specifications

Refrigerator		Freezer	
Crisper Color	Clear	Automatic Defrost	Yes
Dairy Bin	Yes	Door Bin Color	Clear
Deli Drawer	No	Interior Lighting	None
Door Bin Color	Clear	Manual Defrost	No
Humidity Controls	Manual	Shelf Material	Glass
Interior Lighting	LED	Number of Fixed Door Bins	2
Shelf Material	Glass	Total Number of Door Bins	2
Number of Fixed Gallon Door Bins	2	Number of Adjustable Shelves	1
Number of Other Door Bins	1	Total Number of Shelves	1
Number of Adjustable Shelves	2		
Number of Fixed Shelves	1	Controls	
Number of Crispers	1	Control Location	Top Center of Fresh Food
Ice Maker		Digital Display	No
Ice Maker Ready	Yes	Sabbath Mode	No
Exterior		Dimensions and Volume	
Door Finish	Smooth	Height With Hinge	64 9/10"
Door Swing	Reversible	Width	27 9/16"
Rear Rollers	Yes	Width of Cabinet	27 9/16"
Water Inlet Location	Right Bottom Rear	Width With Doors 90° Open	27 61/64"
Electrical Specifications		Depth of Cabinet	25 19/32"
Minimum Circuit Required	15 Amps	Depth With Door	28 9/16"
Certifications and Approvals		Depth With Door 90° Open	53 57/64"
ADA Compliant	Yes	Depth With Door and Handle	28 9/16"
Safety Certifications and Approvals		Freezer Capacity	3.67 Cu. Ft.
UL Listed	Yes	Fresh Food Capacity	12.36 Cu. Ft.
		Total Capacity	16.03 Cu. Ft.
		General Specifications	
		Annual Energy	347 kWh
		Leveling Legs	Yes
		Prop 65 Label	Yes
		Refrigerant Type	R-600A
		Warranty - Labor	1 Year
		Warranty - Parts	1 Year
		Performance Certifications and Approvals	
		ENERGY STAR Certified	Yes
		Accessories	
		Optional Ice Maker Kit	IM1900MD

Installation Diagram



16.0 Cu. Ft. Top Freezer Refrigerator

Available Products: FRTE1622AB, FRTE1622AS,

FRTE1622AW

Version: 06/24

Top Freezer Refrigerator

Available Colors: Black, Stainless Steel, White